



# Amentco

Corporate Profile  
2016



## Contents

[The Difference](#)

[Our Values](#)

[Our Clients](#)

[Facts & Figures](#)

[Sustainability](#)

[Sectors We Serve](#)

[Licenses & Accreditations](#)

[Security Officers](#)

[Back to Base Monitoring](#)

[SiteWATCH](#)

[LifeWATCH](#)

[CCTV](#)

[Home Automation](#)

[Access Control](#)

[Intercom](#)

[GEPON](#)

[Business Intelligence](#)

[Contact](#)

Multiple Services  
One **Integrated** Solution

## The **Difference**

Our services can be integrated for better efficiency, and because each division of Ambush Enterprise Group Works to the same principle of service excellence, you can be sure your operations will not only be simpler, but superior in standards too.

**Energetic** Partnerships,  
Passionate **People**,  
Results.

# Our Values

Passion for customers



Honesty



Teamwork



Commitment to excellence and people



Individual respect and responsibility



# Our Clients Include



# PROBUILD

# Facts & Figures

80 We employ over 80 members of dedicated staff

5500 Over 5500 Amentco clients nationally

1986 Is the year we started trading

18 The amount in Millions we turned over in 2014

5 The number of offices we operate from

1 Point of contact for all your security & communication needs

24/7 We offer 24/7 support, 365 days a year

For us, protecting the environment is an obligation not a choice



**Sustainability** is central to our operations

Commercial  
Construction, Infrastructure & Utilities  
Corporate & Professional  
Education  
Food Production  
Industrial  
Hotels & Leisure  
Medical & Healthcare  
Public Sector  
Residential  
Retail  
Sports  
Transport & Logistics

Because we operate  
in **every sector**, you  
only need to go in  
one direction.



**Amentco**







# Licenses & Accreditations

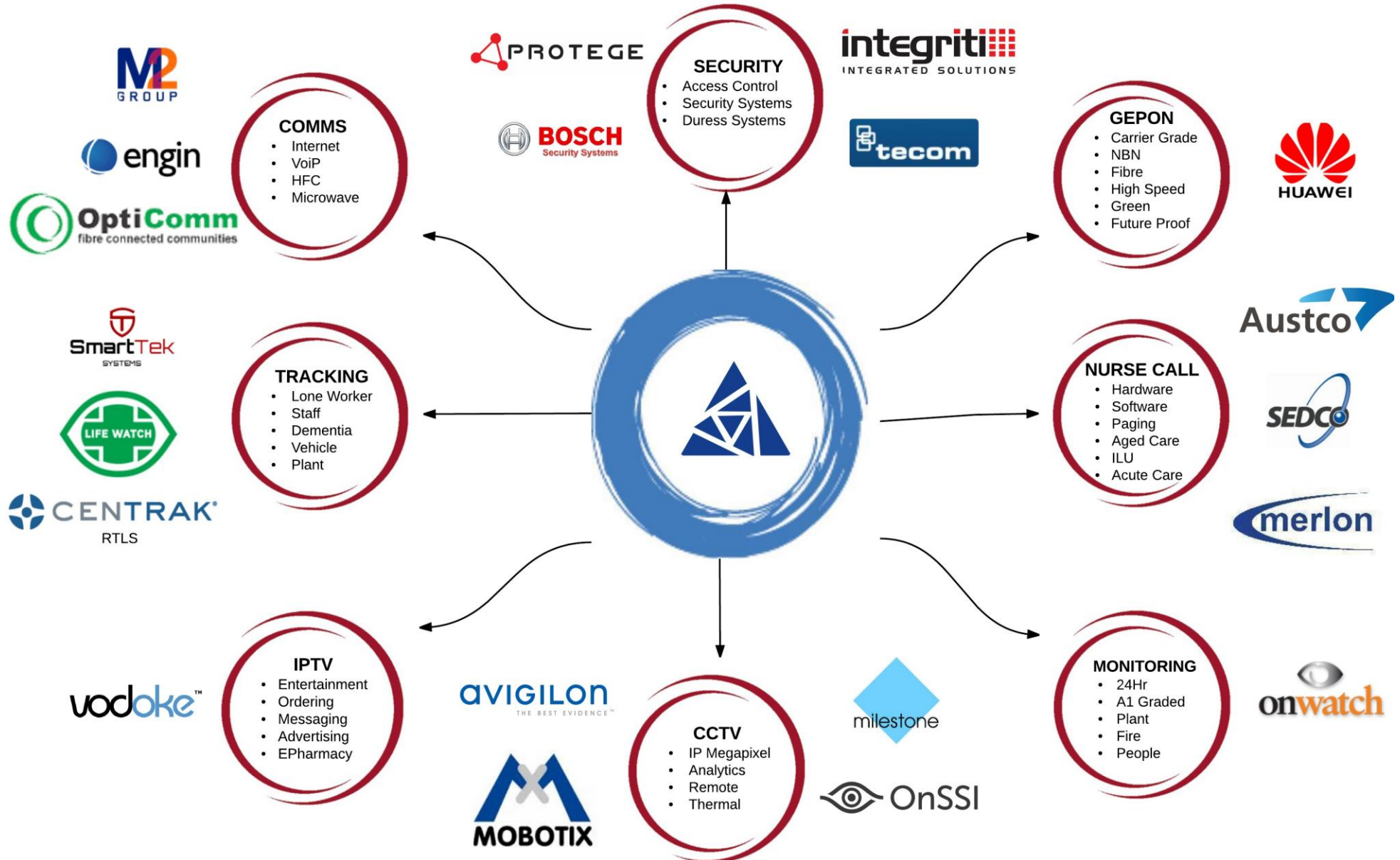


AUSTRALIAN SECURITY INDUSTRY  
ASSOCIATION LIMITED

**Security Firm License (Class2): #3946581**



# Amentco





## Security Officers

We recruit and train talented people to deliver the right service to meet clients' individual requirements. All our Security Officers are fully licenced to comply with Australian Standards. Our Security Officers are supported by the latest security technology and a team of guard support managers, within our A1 graded 24/7 control room.

# 24/7 Back to Base Monitoring

- Perimeter surveillance intruder detection
- Interior motion detection
- Glassbreak detection
- Smoke / Fire detection
- Magnetic Reed switches
- Vibration sensors
- Roller door contacts
- Supervised schedules
- Refrigeration sensors
- Hold-Up/Duress/Panic & Medical alarms
- Videofied monitoring
- Mobotix two-way speech



# SiteWATCH Remotely Monitored CCTV

SiteWATCH is Ambush Security's response to the growing demand amongst small and medium sized construction projects for a more cost effective solution than a Traditional Security Guard.

- ✓ Recording 24/7
- ✓ Monitored by our AI graded control room
- ✓ Operates over 4G
- ✓ Mains or solar powered
- ✓ Live 2 way audio warnings
- ✓ Rapid deployment and installation
- ✓ Remote iPhone/web browser viewing
- ✓ HD 5MP IP anti-vandal cameras
- ✓ Remote patrols
- ✓ 30 days recorded footage
- ✓ Easy to use and operate
- ✓ Hire option reducing CAPEX



# Amentco



# LifeWATCH Duress Alarm

Elderly Tracking  
Lone Worker Safety  
Patrol Guard Protection  
Vulnerable Person/s tracking



## LIFE WATCH personal alarm

real SECURITY real SAFETY real RESPONSE

› personal › medical › duress › lone worker





# HD Video Surveillance



  
**VICTORINOX**  
SWISS ARMY

**Airports Casinos Critical Infrastructure Commercial Stadiums Education  
Retail Healthcare Logistics Banking Stadiums City Surveillance**

**AVIGILON**  
THE BEST EVIDENCE™

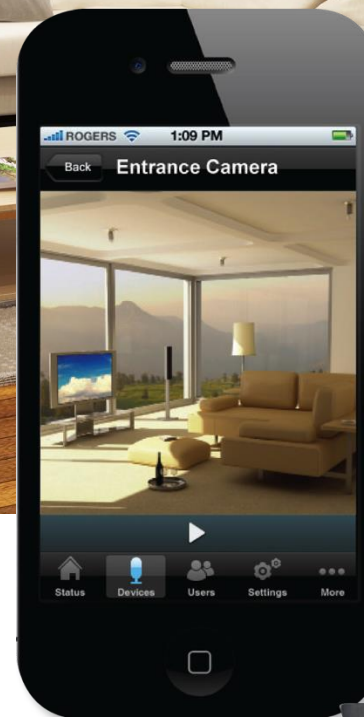
   
milestone  
milestone  
Certified Partner

**HIK VISION**



# Home Automation

Security  
Safety  
Home Management  
Energy Saving  
Care  
Entertainment



**We.R**™



**Protect Australia**

# Access Control

- ✓ Readers & Cards
- ✓ Hosted Access Control
- ✓ Visitor Management
- ✓ Identity Management
- ✓ Door Entry Systems
- ✓ Smart Card & Biometrics
- ✓ Service & Installation



**BOSCH**



CONCEPT 4000



**integrity**   
INTEGRATED SOLUTIONS

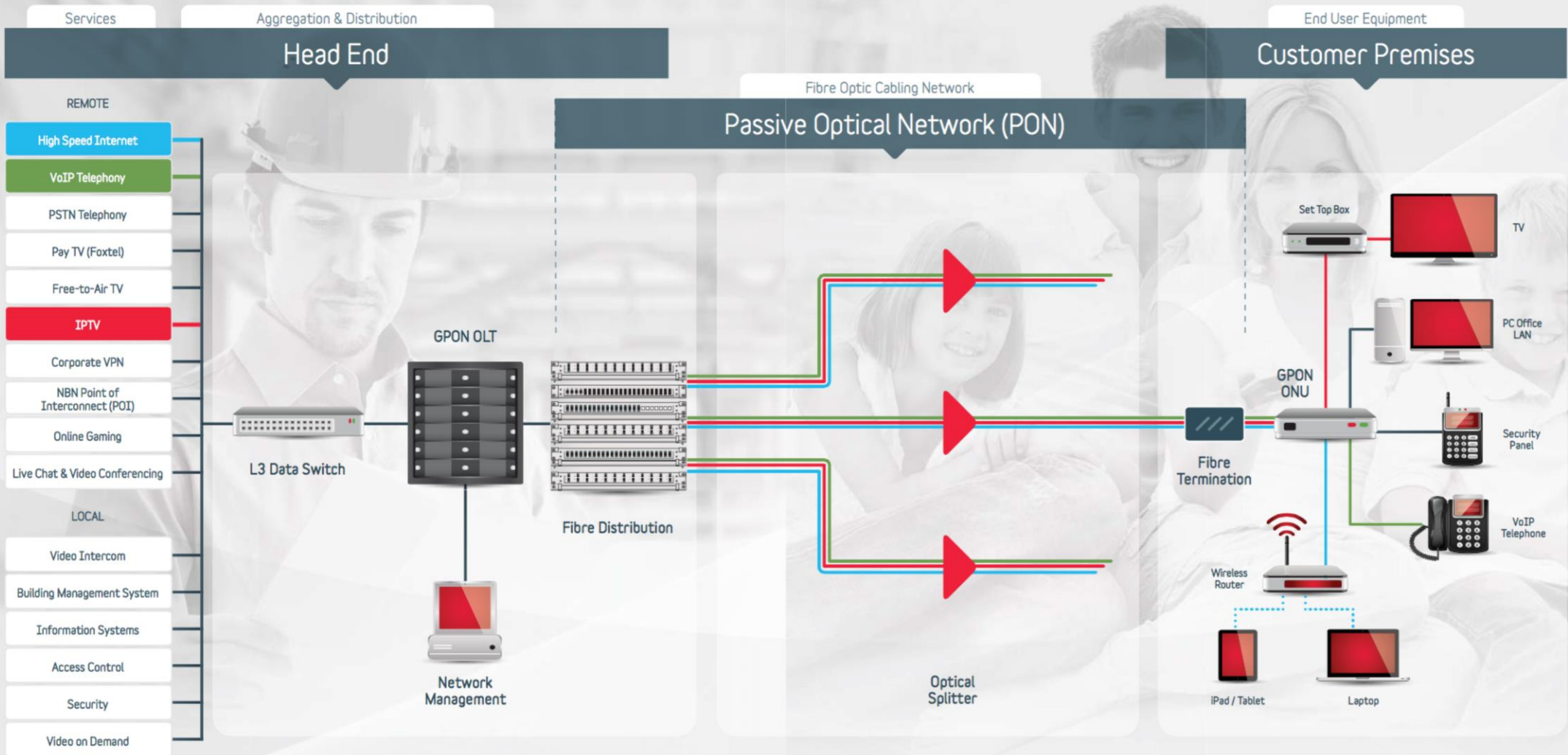
 **LENEL**

**PACOM** 



 **AIPHONE®**

# Fiber Network Infrastructure



## Optical Line Terminal (OLT)

The OLT is a modular platform for implementing high bandwidth fibre networks. It combines multiple services onto a single fibre for distribution to end user devices. With full layer 2 and layer 3 functionality, the OLT supports a fully-featured network architecture for multiple customers in an economical 'pay as you grow' model.



## Passive Optical Splitter

The optical splitter is the heart of the passive network. A splitter takes each 2.5Gb/s GPON data stream and distributes it to up to 64 individual customers. In larger networks, the splitters are located close to end user so cabling costs are greatly reduced.



## Building Cabling Solutions

Madison makes it easy to source the entire GPON network from one supplier with a full range of fibre, copper & wireless cables and accessories.

- ✓ NBN Compliant Single Mode Fibre Cabling
- ✓ Pre-terminated Lead-in and Riser Cables
- ✓ FOBOTs, Connectors & Pigtails
- ✓ Fibre Termination Boxes
- ✓ Structured Cabling



## Optical Network Unit (ONU)

An ONU is installed at the end user premise to retrieve all of the individual IP services such as VoIP, Internet, Data and IPTV which had been combined onto a single fibre by the OLT. The ONU typically connects to local wireless routers, TV set-top-boxes, security panels, intercom systems, telephones and other customer equipment.

# Services We Integrate

**INTEGRATED CONTROL & MONITORING OF MULTIPLE ENVIRONMENTS**

**SEPERATELY CONTROLLED & MONITORED ENVIRONMENTS**





# Business Intelligence

Get deeper  
insight in  
business

Improve  
productivity  
and  
efficiency

Informed  
decision  
making

Analyze  
data in a  
business  
meaningful  
way

Optimize  
cashflow  
and increase  
profitability

Enhance  
team  
sharing and  
collabo-  
ration

Improve  
Customer  
Service and  
Satisfaction

Enforce  
regulatory  
compliance

Increase  
flexibility  
and agility

Streamline  
budgeting  
and  
planning

# Contact Us



1300 305 945



[facebook.com/amentcoau](https://facebook.com/amentcoau)



[twitter.com/amentco](https://twitter.com/amentco)



[linkedin.com/amentco](https://linkedin.com/amentco)



[info@amentco.com.au](mailto:info@amentco.com.au)

Brisbane • Gold Coast • Toowoomba  
Sunshine Coast • Sydney • Melbourne